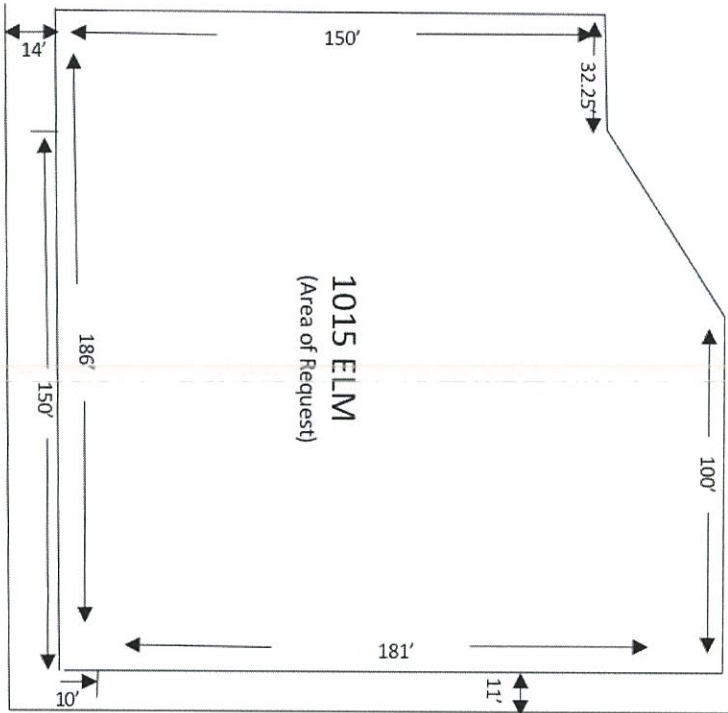


SITE PLAN
1" = 50'



Videoboard Sign
(SUP 2006)

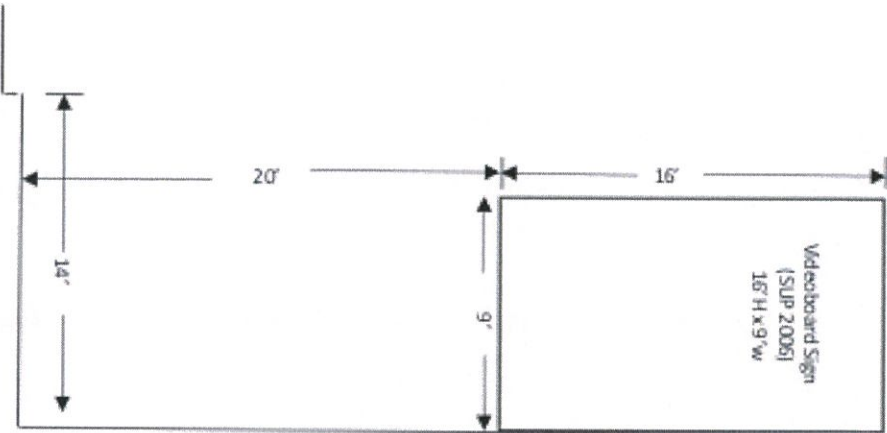
1015 ELM

Videoboard Sign
(SUP 2005)

GRIFFIN

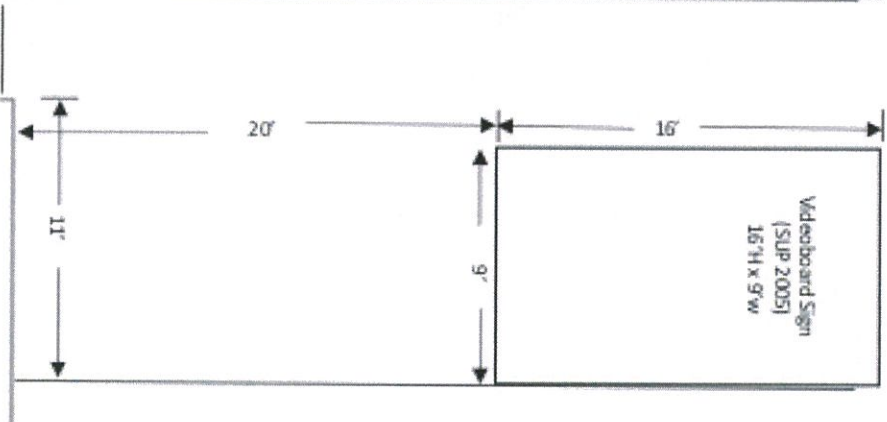
ELEVATION
1"=8'

VIEW/LOOKING WEST
ON ELM ST



ELEVATION
1"=8'

VIEW/LOOKING SOUTH
ON GRIFFIN ST



Z189-165